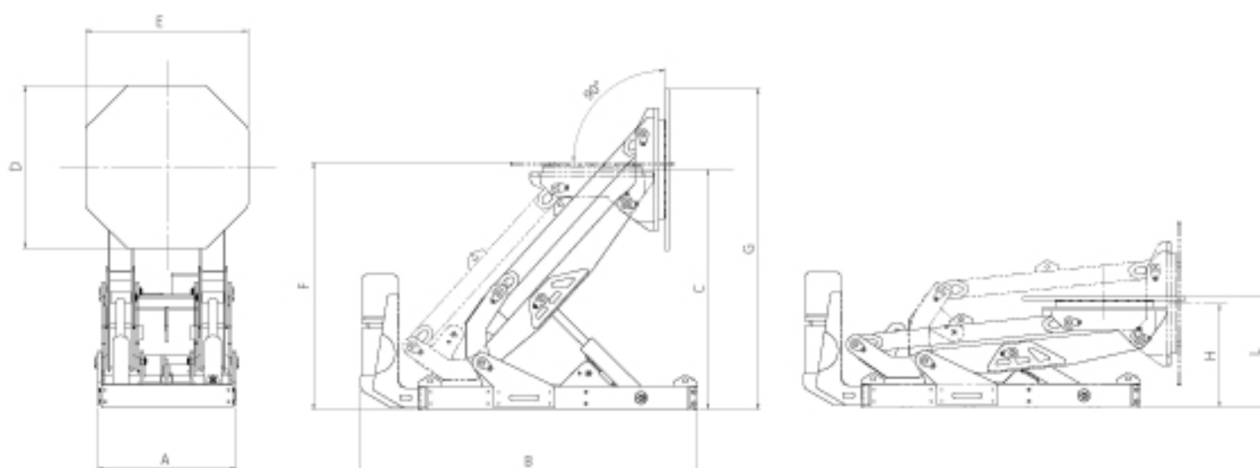


TABELLA DIMENSIONALE



Posizionatore	U.M	A	B	C	D	E	F	G	H	L
Tipper 1300	mm	880	1790	1160	800	800	1393	1575	562	796
Tipper 2000	mm	963	2386	1461	1000	1000	1580	1961	597	715
Tipper 3500	mm	973	2636	1574	1200	1200	1765	2174	672	890
Tipper 5000	mm	1190	2894	2069	1400	1400	2128	2769	889	948
Tipper 6500	mm	1260	3354	2640	1450	1450	2640	3370	914	910
Tipper 8500	mm	1380	4183	3184	1490	1500	3128	3934	1155	1110
Tipper 10500	mm	1570	5384	3760	1800	1800	3638	4660	1234	1230